

SC IOR SA

MOUNTS, RINGS, BASES
for
RIFLESCOPES IOR
& others

Military Sales

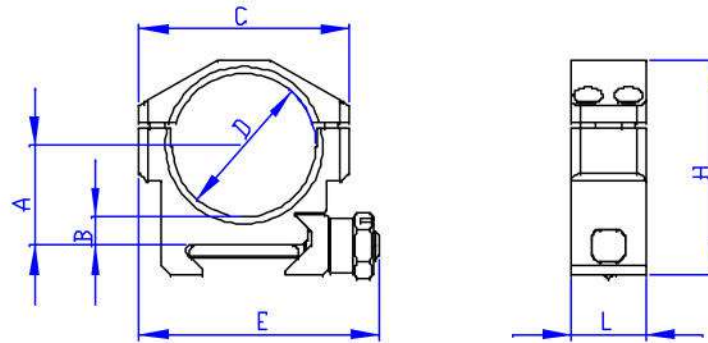
Army - Naval - Air Force Equipment

Email: info@borecleaningsystems.com - Web: <https://borecleaningsystems.com>

EU: +44 7464 727015

BCS
BORE CLEANING SYSTEMS

RING HD



	Cod IOR	D	A	B	C	E	L	H
HD-L	1.638.43.999.0	30	21	6	44	51	15.8	45
HD-H	1.638.46.999.0	30	34	19	44	51	15.8	58
HD-L	1.638.52.999.0	35	22	4.5	49	53	15.8	49
HD-M	1.638.59.999.0	30	27.5	12.5	44	51	15.8	51
HD-H-AI	1.638.64.999.0	30	32.3	17.3	44	51	15.8	56
HD-H-W	1.638.64.998.0	30	35.5	20.5	44	51	20	60
HD-M-W	1.638.64.996.0	34	29	12	51	53	20	56
HD-M	1.638.68.999.0	35	30.2	12.7	49	53	15.8	57
HD-H	1.638.69.999.0	35	36.5	19	49	53	15.8	63
HD-L	1.638.76.998.0	40	30	10	56	57	15.8	59

Military Sales

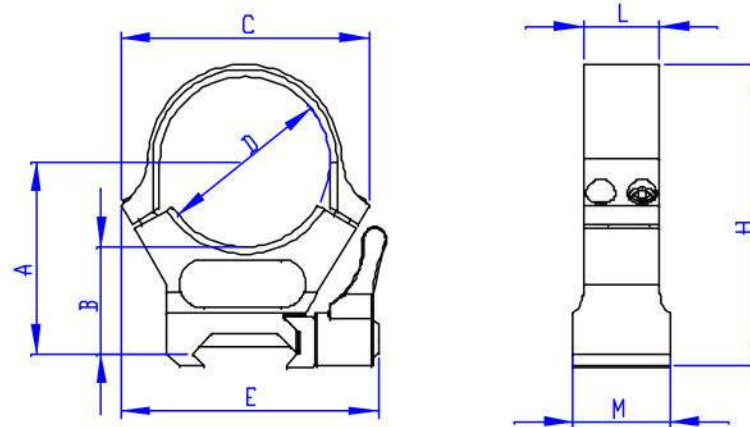
Army - Naval - Air Force Equipment

Email: info@borecleaningsystems.com - Web: <https://borecleaningsystems.com>

EU: +44 7464 727015

BCS
BORE CLEANING SYSTEMS

RING QD



	Cod IOR	D	A	B	C	E	L	M	H
QD-L	1.638.34.999.0	1"	25.7	13	42	46	15.8	20	43
QD-L	1.638.35.998.0	30	28	13	47	46	15.8	20	48
QD-H	1.638.41.999.0	30	38	23	47	46	15.8	20	58
QD-H	1.638.42.999.0	1"	35.8	23.1	41	41	15.8	20	54
QD-H	1.638.70.999.0	35	39.5	22	51	53	15.8	20	63

Military Sales

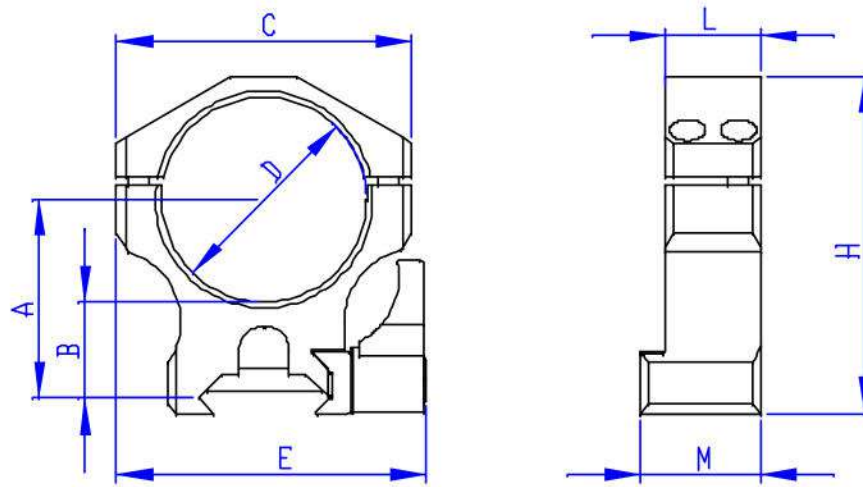
Army - Naval - Air Force Equipment

Email: info@borecleaningsystems.com - Web: <https://borecleaningsystems.com>

EU: +44 7464 727015

BCS
BORE CLEANING SYSTEMS

RING QD



	Cod IOR	D	A	B	C	E	L	M	H
QD-H	1.638.74.999.0	34	33	16	49	51.5	15.8	20	56
QD-N-H	1.638.75.999.0	35	39.5	22	49	51.5	15.8	20	62
QD-L	1.638.76.999.0	40	38	18	56	51.5	15.8	20	64

Military Sales

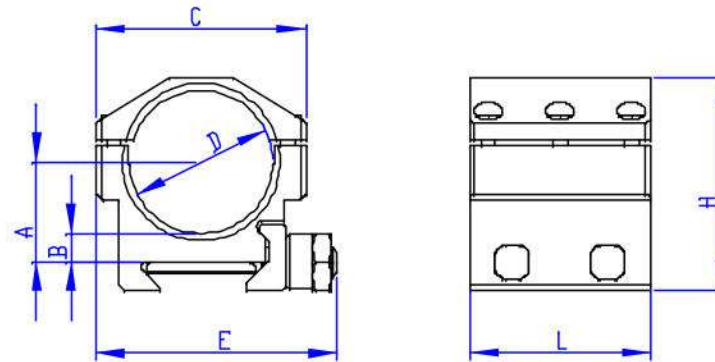
Army - Naval - Air Force Equipment

Email: info@borecleaningsystems.com - Web: <https://borecleaningsystems.com>

EU: +44 7464 727015

BCS
BORE CLEANING SYSTEMS

RING HD-W



	Cod IOR	D	A	B	C	E	L	H
HD-WL	1.638.45.999.0	30	21	6	44	51	38	45

Military Sales

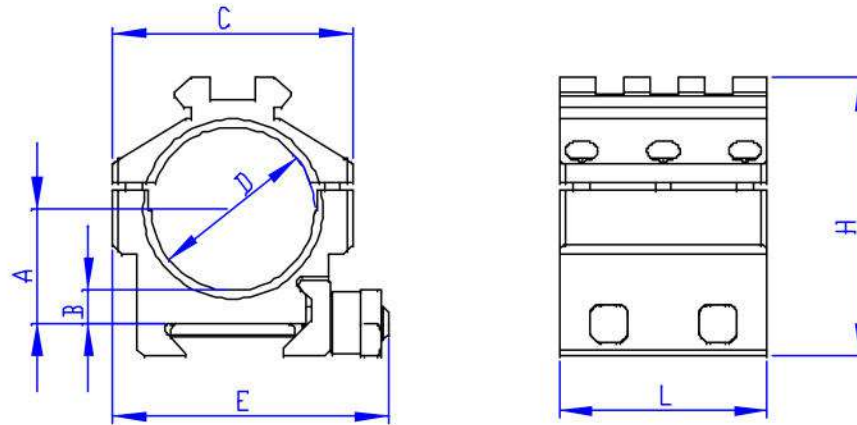
Army - Naval - Air Force Equipment

Email: info@borecleaningsystems.com - Web: <https://borecleaningsystems.com>

EU: +44 7464 727015

BCS
BORE CLEANING SYSTEMS

RING HD-W-CR



	Cod IOR	D	A	B	C	E	L	H
HD-WL-CR	1.638.48.999.0	30	21	6	44	51	38	51
HD-WL-CR-AI	1.638.65.999.0	30	21	6	44	51	38	51
HD-WM-CR-AI	1.638.67.999.0	30	24	9	44	51	38	51

Military Sales

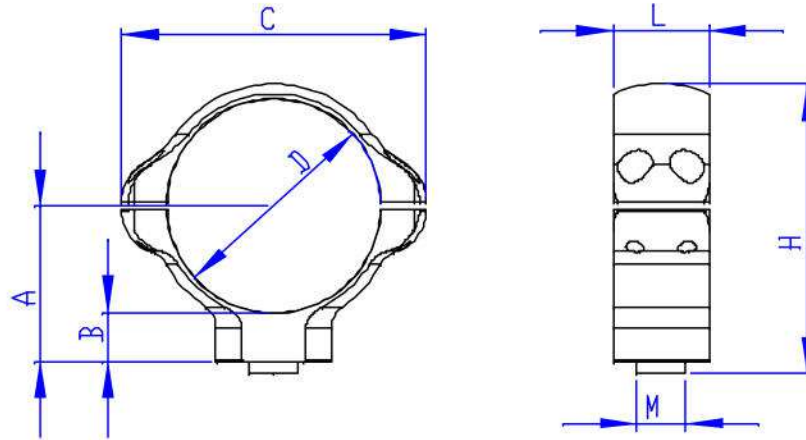
Army - Naval - Air Force Equipment

Email: info@borecleaningsystems.com - Web: <https://borecleaningsystems.com>

EU: +44 7464 727015

BCS
BORE CLEANING SYSTEMS

SPECIAL RING



	Cod IOR	D	A	B	C	L	M	H
RINGS BLASER R 93	1.638.79.999.0	35	25.5	8	50	15.8	8	47.5
RINGS M16-1"	1.638.16.998.0	1"	18.5	5.8	41	15	7	37.5
RINGS M16-30	1.638.17.998.0	30	24.3	9.3	47	15.8	7	43.5

Military Sales

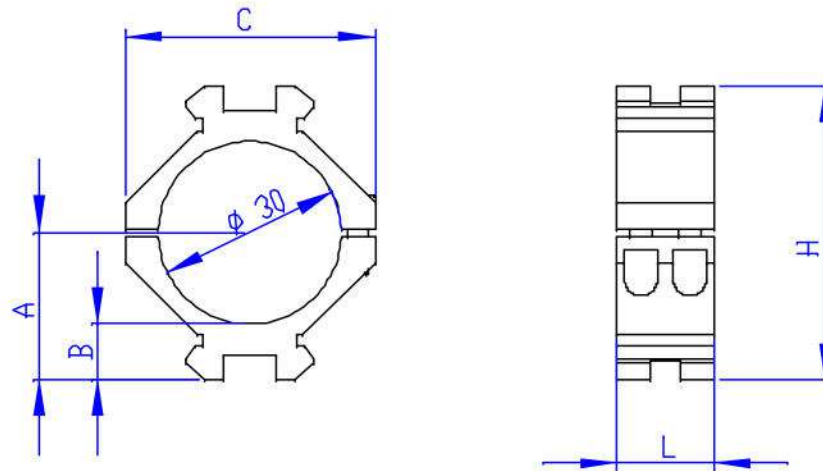
Army - Naval - Air Force Equipment

Email: info@borecleaningsystems.com - Web: <https://borecleaningsystems.com>

EU: +44 7464 727015

BCS
BORE CLEANING SYSTEMS

RING CR



	Cod IOR	D	A	B	C	L	H
CR	1.638.49.999.0	30	24	9	41	15.8	48

Military Sales

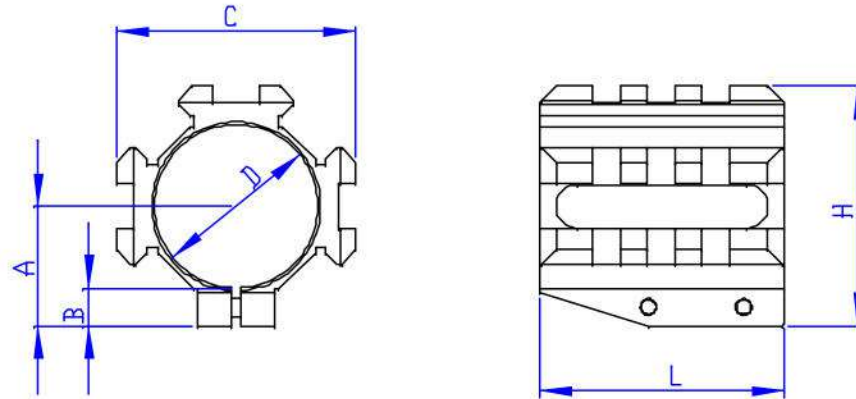
Army - Naval - Air Force Equipment

Email: info@borecleaningsystems.com - Web: <https://borecleaningsystems.com>

EU: +44 7464 727015

BCS
BORE CLEANING SYSTEMS

RING CR-W



	Cod IOR	D	A	B	C	L	H
CR-W	1.638.49.998.0	30	22	7	44	45	44
CR-W	1.638.49.997.0	35	25	7.5	50	45	50

Military Sales

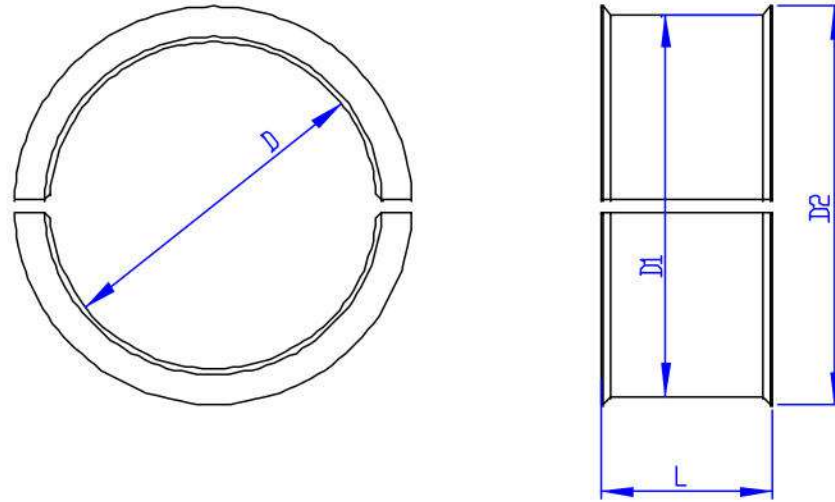
Army - Naval - Air Force Equipment

Email: info@borecleaningsystems.com - Web: <https://borecleaningsystems.com>

EU: +44 7464 727015

BCS
BORE CLEANING SYSTEMS

INSERTIONS



	Cod IOR	D	D1	D2	L
INSERTIONS 30/1"	1.638.43.997.0	1"	30	31.5	15.8
INSERTIONS 35/26	1.638.43.996.0	26	30	31.5	15.8
INSERTIONS 35/30	1.638.80.998.0	30	35	36.5	15.8
INSERTIONS W 30/1"	1.638.45.997.0	30	1"	31.5	38

Military Sales

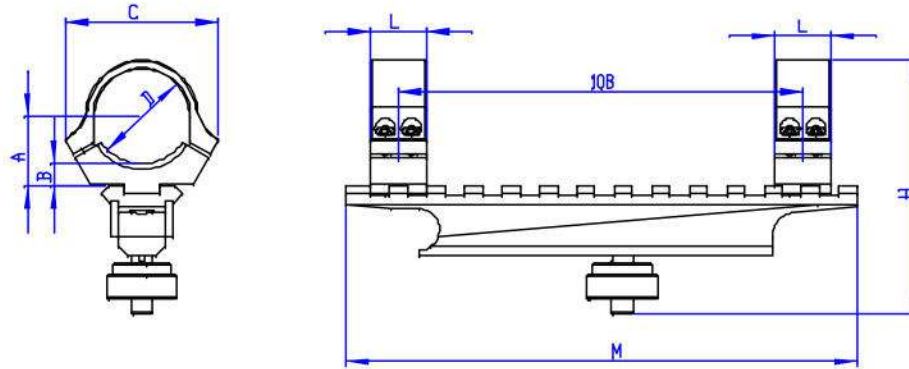
Army - Naval - Air Force Equipment

Email: info@borecleaningsystems.com - Web: <https://borecleaningsystems.com>

EU: +44 7464 727015

BCS
BORE CLEANING SYSTEMS

MOUNT M16



	Cod IOR	D	A	B	C	L	M	H
MOUNT M16-1"	1.638.16.999.0	1"	18.5	5.8	41	15.8	136	68
BASE M16	1.638.16.997.0				21.2		136	34
MOUNT M16-30	1.638.17.999.0	30	24.3	9.3	47	15.8	136	76

Military Sales

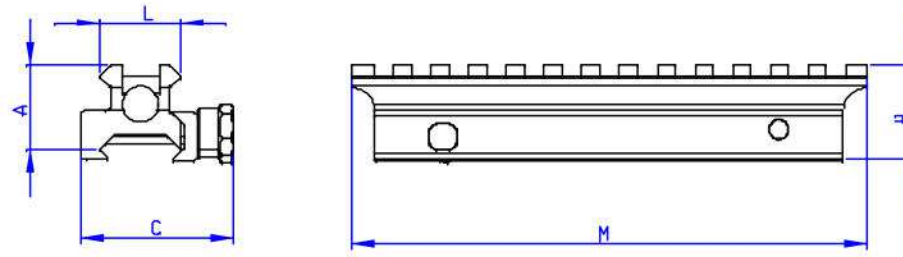
Army - Naval - Air Force Equipment

Email: info@borecleaningsystems.com - Web: <https://borecleaningsystems.com>

EU: +44 7464 727015

BCS
BORE CLEANING SYSTEMS

MOUNT ARMS 5



	Cod IOR	A	B	C	L	M	H
MOUNT ARMS 5	1.638.57.999.0	22.5		41	21.2	136.5	25

Military Sales

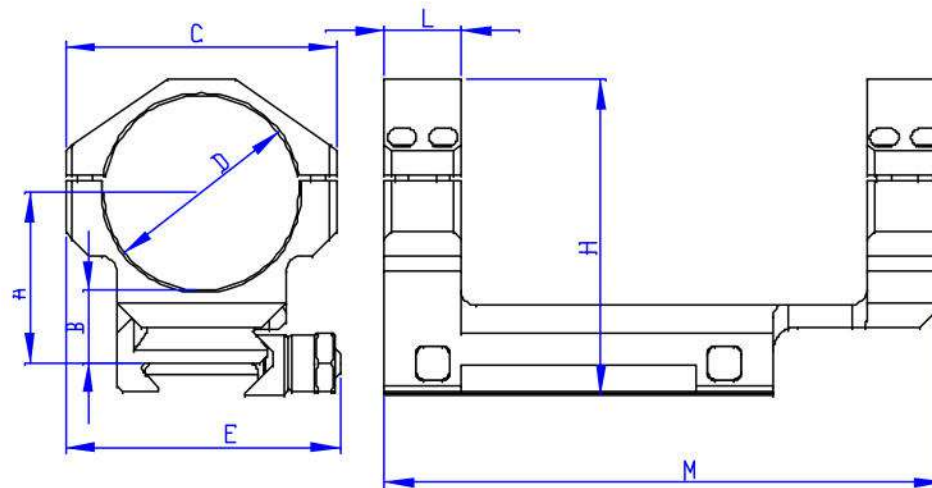
Army - Naval - Air Force Equipment

Email: info@borecleaningsystems.com - Web: <https://borecleaningsystems.com>

EU: +44 7464 727015

BCS
BORE CLEANING SYSTEMS

MOUNT



	Cod IOR	D	A	B	C	E	L	M	H
HD-S	1.638.77.998.0	40	35	15	56	56.5	15.8	115	65

Military Sales

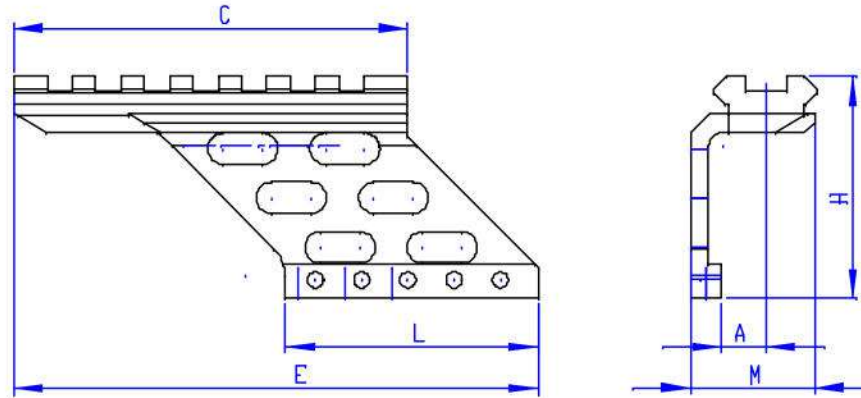
Army - Naval - Air Force Equipment

Email: info@borecleaningsystems.com - Web: <https://borecleaningsystems.com>

EU: +44 7464 727015

BCS
BORE CLEANING SYSTEMS

MOUNT HANDGUN BROWNELLS 1911 AUTO



	Cod IOR	A	C	E	L	M	H
MOUNT HUNDGUN	1.638.78.999.0	9	81	108	52	26	46

Military Sales

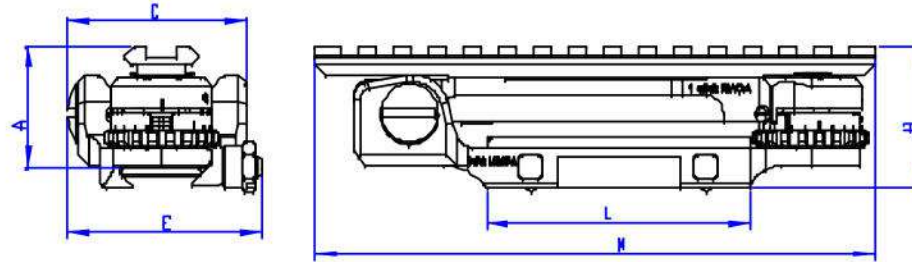
Army - Naval - Air Force Equipment

Email: info@borecleaningsystems.com - Web: <https://borecleaningsystems.com>

EU: +44 7464 727015

BCS
BORE CLEANING SYSTEMS

MOUNT H-V



	Cod IOR	A	C	E	L	M	H
MOUNT H-V	1.638.72.999.0	34	51	55	75	160	40

TECHNICAL CHARACTERISTICS:

Click: value	- elevation	2MOA/click
	- windage	½ MOA/click
Adjustment range:	- elevation	40 MOA
	- windage	±60 MOA

Military Sales

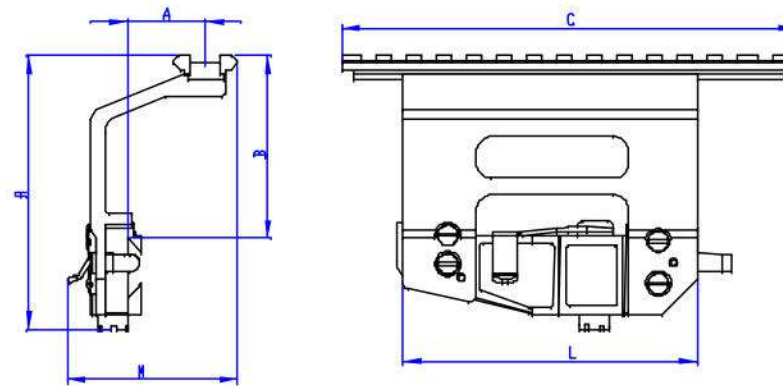
Army - Naval - Air Force Equipment

Email: info@borecleaningsystems.com - Web: <https://borecleaningsystems.com>

EU: +44 7464 727015

BCS
BORE CLEANING SYSTEMS

MOUNT



	Cod IOR	A	C	L	M	H
MOUNT AKM-PA 5.45-PM 5.45	1.638.38.999.0	9.5	151.3	98	40.5	52
MOUNT AKM-PA 5.45-PM 5.45	1.638.47.999.0	26	151.3	98	57	91
MOUNT AKM-PA 5.45-PM 5.45	1.638.47.997.0	26	250	98	57	95

Military Sales

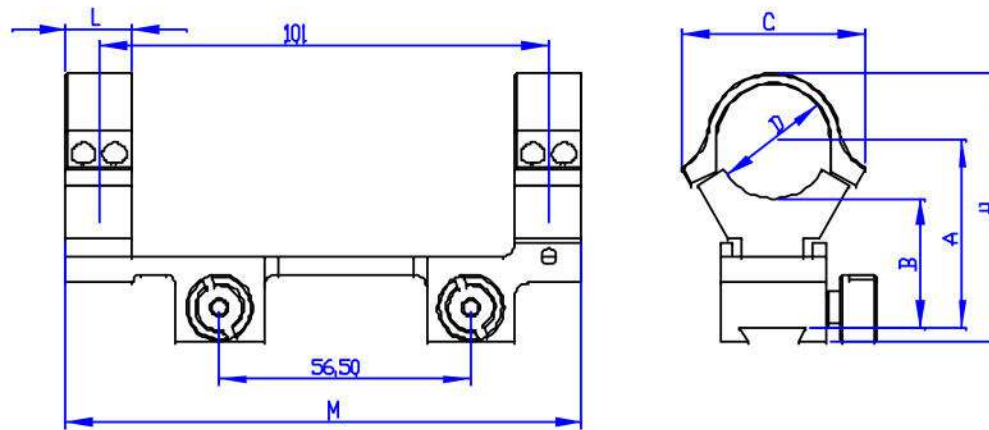
Army - Naval - Air Force Equipment

Email: info@borecleaningsystems.com - Web: <https://borecleaningsystems.com>

EU: +44 7464 727015

BCS
BORE CLEANING SYSTEMS

MOUNT



	Cod IOR	D	A	B	C	L	M	H
MOUNT MAGNUM cal 5.6	1.638.01.999.0	26	41.9	28.9	38	15	116	60
MOUNT BRNO	1.638.03.999.0	26	41.9	28.9	38	15	116	60

Military Sales

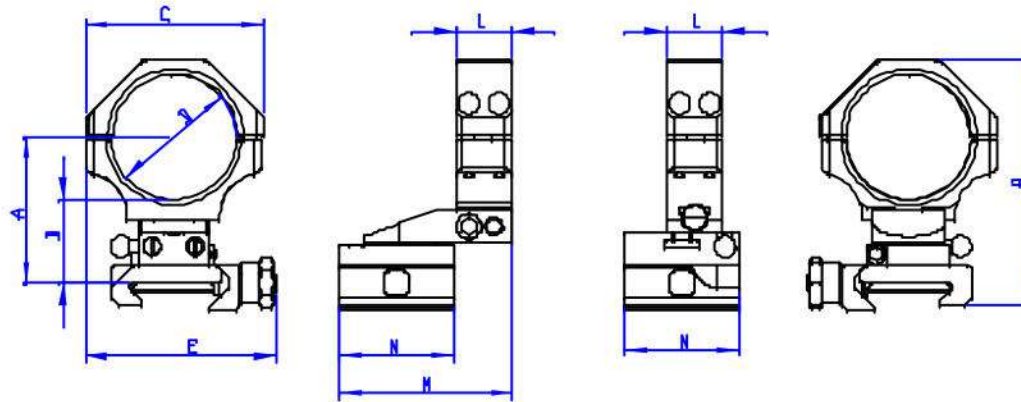
Army - Naval - Air Force Equipment

Email: info@borecleaningsystems.com - Web: <https://borecleaningsystems.com>

EU: +44 7464 727015

BCS
BORE CLEANING SYSTEMS

MOUNT QD-EAW-PICATINNY



	Cod IOR	D	A	B	C	E	L	M	N	H
MOUNT QD-EAW-PICATINNY	1.638.80.999.0	35	41	23.5	49.5	53	15.8	48.4	32	68

Military Sales

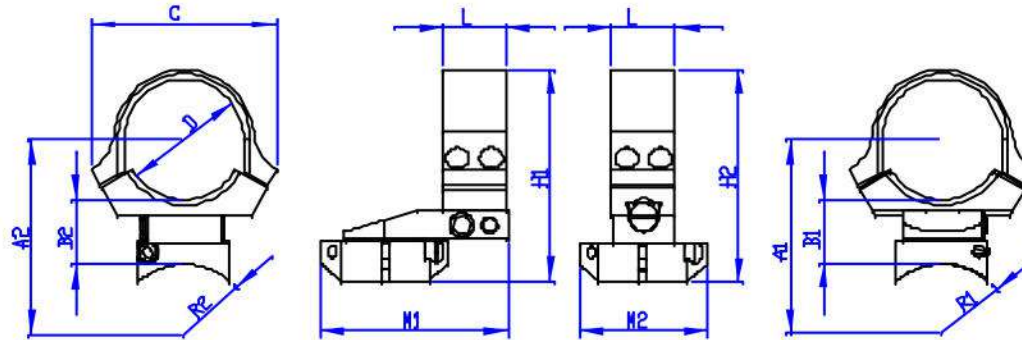
Army - Naval - Air Force Equipment

Email: info@borecleaningsystems.com - Web: <https://borecleaningsystems.com>

EU: +44 7464 727015

BCS
BORE CLEANING SYSTEMS

MOUNT VL



	Cod IOR	D	A1	A2	B1	B2	R1	R2	C	L	M1	M2	H1	H2	A1-A2
MOUNT VL-REM 700	1.638.53.999.0	30	30.1	33.5	15.1	18.5	17.5	48	47	15.8	32	40	51.5	51	-3.4
MOUNT VL-W70	1.638.54.999.0	30	30.1	33.5	15.1	18.5	16.5	34	47	15.8	32	32	51.8	52.9	-3.4
MOUNT VL-BROWNING A	1.638.55.999.0	30	30.1	30	15.1	15	35	35	47	15.8	32	32	49.4	49.3	-0.1

Military Sales

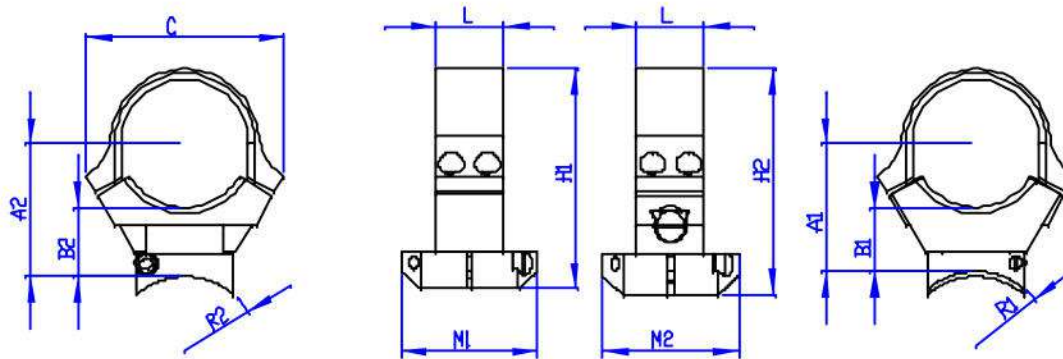
Army - Naval - Air Force Equipment

Email: info@borecleaningsystems.com - Web: <https://borecleaningsystems.com>

EU: +44 7464 727015

BCS
BORE CLEANING SYSTEMS

MOUNT VL 2



	Cod IOR	D	A1	A2	B1	B2	R1	R2	C	L	M1	M2	H1	H2	A1-A2
MOUNT VL2-REM 700	1.638.58.999.0	30	30.1	33.5	15.1	18.5	17.5	48	47	15.8	32	40	51.5	51	-3.4
MOUNT VL2-W70	1.638.61.999.0	30	30.1	33.5	15.1	18.5	16.5	34	47	15.8	32	32	51.8	52.9	-3.4
MOUNT VL2-BROWNING A	1.638.62.999.0	30	30.1	30	15.1	15	35	35	47	15.8	32	32	49.4	49.3	-0.1

Military Sales

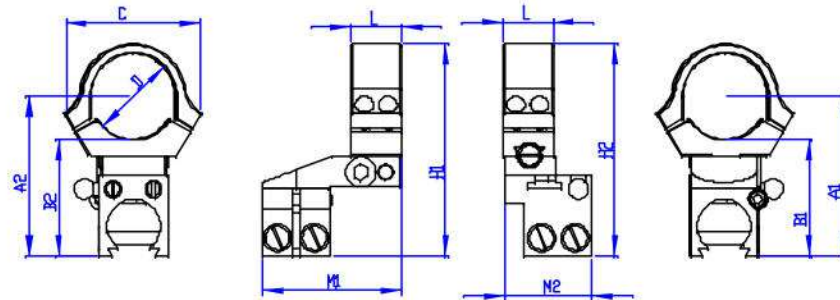
Army - Naval - Air Force Equipment

Email: info@borecleaningsystems.com - Web: <https://borecleaningsystems.com>

EU: +44 7464 727015

BCS
BORE CLEANING SYSTEMS

MOUNT EAW-H



	Cod IOR	D	A1	A2	B1	B2	C	L	M1	M2	H1	H2	A1-A2
MOUNT SPRING cal 30-06	1.638.02.999.0	26	49	49	36	36	38	15	41	26	64	64	0

Military Sales

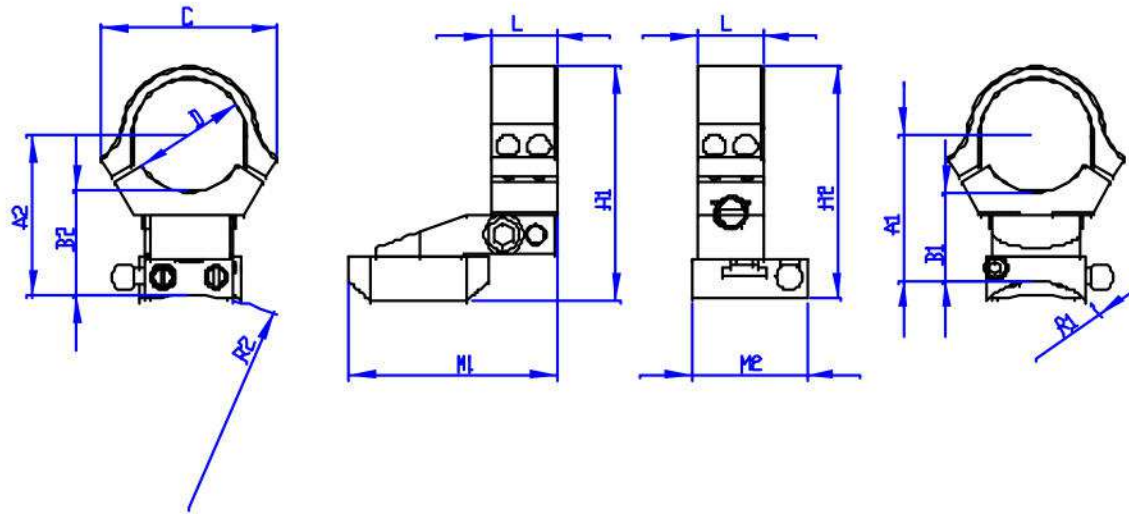
Army - Naval - Air Force Equipment

Email: info@borecleaningsystems.com - Web: <https://borecleaningsystems.com>

EU: +44 7464 727015

BCS
BORE CLEANING SYSTEMS

MOUNT EAW



		D	A1	A2	B1	B2	R1	R2	C	L	M1	M2	H1	H2	A1-A2
EAW-R700	1.638.19.999.0	1"	33.1	36.3	20.4	23.6	17.5	48	42	15	32	26	52.9	52.1	-3.2
EAW-R700	1.638.20.999.0	26	33.1	36.3	20.1	23.3	17.5	48	42	15	32	26	52.9	52.1	-3.2
EAW-R700	1.638.21.999.0	30	33.1	36.3	18.1	18.1	17.5	48	47	15	32	26	54.9	54.1	-3.2
EAW-W70	1.638.22.999.0	1"	32.6	36	19.9	23.3	16.5	34	42	15	32	35	52.8	52.7	-3.4
EAW-W70	1.638.23.999.0	26	32.6	36	19.6	23	16.5	34	42	15	32	35	52.8	52.7	-3.4
EAW-W70	1.638.24.999.0	30	32.6	36	17.6	21	16.5	34	47	15	32	35	52.8	54.7	-3.4

Military Sales

Army - Naval - Air Force Equipment

Email: info@borecleaningsystems.com - Web: <https://borecleaningsystems.com>

EU: +44 7464 727015

BCS
BORE CLEANING SYSTEMS

EAW-M98	1.638.25.999.0	1"	32.6	36.1	19.9	23.4	17.5	14.5	42	15	32	26	54.1	54.1	-3.5
EAW-M98	1.638.26.999.0	26	32.6	36.1	19.6	23.1	17.5	14.5	42	15	32	26	54.1	54.1	-3.5
EAW-M98	1.638.27.999.0	30	32.6	36.1	17.6	21.1	17.5	14.5	47	15	32	26	56.1	56.1	-3.5
EAW-FN-BAR	1.638.28.999.0	26	32.6	32.4	19.6	19.4	17.75	17.75	42	15	36	26	49.9	49.9	0.2
EAW-FN-BAR	1.638.29.999.0	30	32.6	32.1	17.6	17.1	17.75	17.75	47	15	36	26	51.6	51.6	0.5
EAW-R7400	1.638.30.999.0	26	32.85	32.4	19.85	19.4	17.5	17.5	42	15	45	26	50.4	50.4	0.45
EAW-R7400	1.638.31.999.0	30	32.85	32.1	17.85	17.1	17.5	17.5	47	15	45	26	52.1	52.1	0.75
EAW-R7400	1.638.32.999.0	1"	32.85	32.4	20.15	19.7	17.5	17.5	42	15	45	26	50.4	50.4	0.45
EAW-FN-BAR	1.638.33.999.0	1"	32.6	32.4	19.9	19.7	17.75	17.75	42	15	36	26	49.9	49.9	0.2
EAW-W70	1.638.36.999.0	1"	29.6	33.1	16.9	20.4	16.5	34	42	15	32	35	49.8	49.8	-3.5
EAW-M98	1.638.37.999.0	1"	29.6	33.6	16.9	20.9	17.5	14.5	42	15	32	26	51.6	51.6	-4
EAW-R700	1.638.40.999.0	1"	30.1	33.6	17.4	20.9	17.5	48	42	15	32	26	49.4	51.4	-3.5
EAW-ZASTAVA M-70	1.638.05.999.0	26	39.5	43	26.5	30	17.5	14.5	38	15	32	26	58.5	61	-3.5
EAW-H- ZASTAVA M70	1.638.06.999.0	26	54.5	58	37	45	17.5	14.5	38	15	32	26	65	76	-3.5

Military Sales

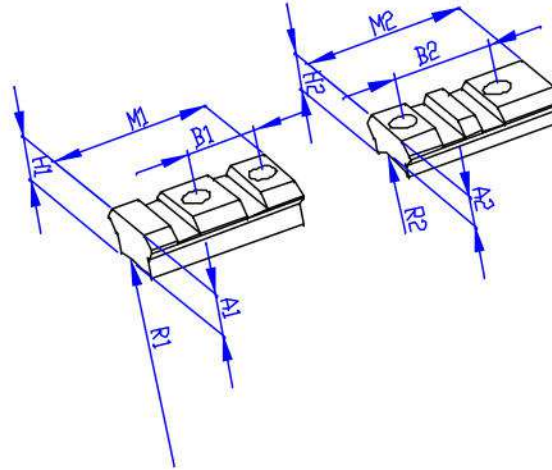
Army - Naval - Air Force Equipment

Email: info@borecleaningsystems.com - Web: <https://borecleaningsystems.com>

EU: +44 7464 727015

BCS
BORE CLEANING SYSTEMS

DUAL BASES



	Cod IOR	A1	A2	R1	R2	B1	B2	M1	M2	H1	H2	A1-A2
BASES REM 700	1.638.34.995.0	6.9	9.7	17.5	48	22	22	35.5	35.5	8.5	10.3	-2.8
BASES WIN 70	1.638.34.994.0	5.9	9.3	16.5	34	22	22	30	30	7.2	9.8	-3.4
BASES M98	1.638.34.993.0	7.5	11	17.5	14.5	22	13	31	31	8.6	12.3	-3.5
BASES WIN 70 (screw 8-40)	1.638.34.992.0	5.9	9.3	16.5	34	22	22	30	30	7.2	9.8	-3.4
BASES REM 700 (screw 8-40)	1.638.34.991.0	6.9	9.7	17.5	48	22	15.5	35.5	35.5	8.5	10.3	-2.8
BASES BROWNING A	1.638.44.997.0	9.3	9.3	35	35	22	22	40	39.2	10.2	10.2	0
BASES SAVAGE 110	1.638.50.997.0	6	6	17.5	17.5	22	22	35.5	35.5	7.3	7.3	0

Military Sales

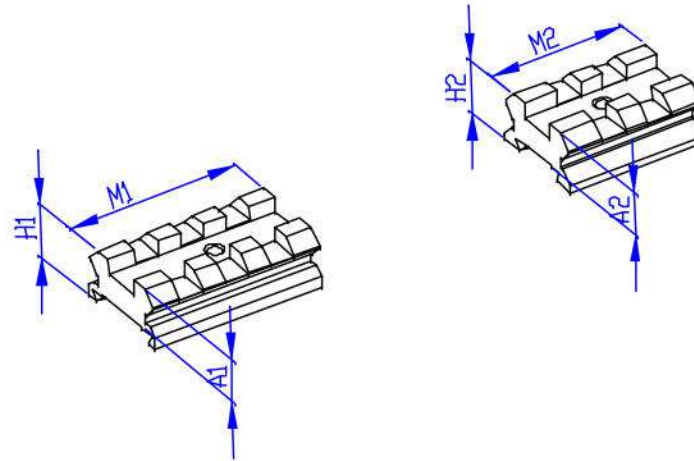
Army - Naval - Air Force Equipment

Email: info@borecleaningsystems.com - Web: <https://borecleaningsystems.com>

EU: +44 7464 727015

BCS
BORE CLEANING SYSTEMS

DUAL BASES



	Cod IOR	A1	A2	M1	M2	H1	H2	A1-A2
BASES SAKO SDT	1.638.71.999.0	9.3	9.3	36.5	29	11.5	11.5	0
BASES SAKO SDT	1.638.71.998.0	9.3	9.3	36.5	26.5	11.5	11.5	0

Military Sales

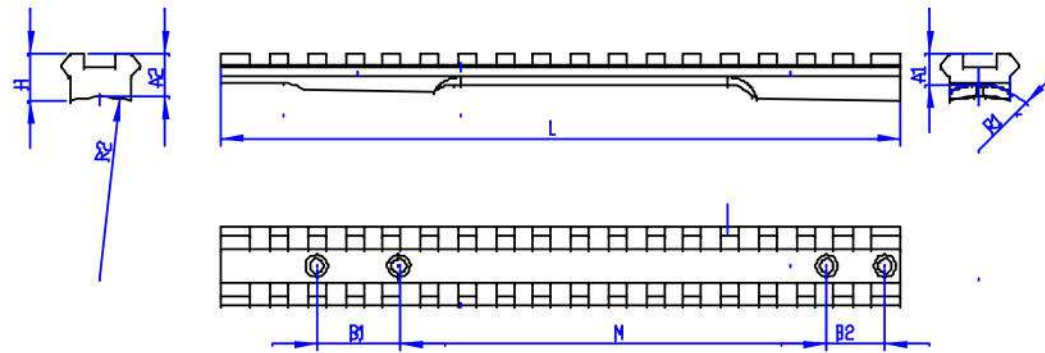
Army - Naval - Air Force Equipment

Email: info@borecleaningsystems.com - Web: <https://borecleaningsystems.com>

EU: +44 7464 727015

BCS
BORE CLEANING SYSTEMS

BASES



	Cod IOR	A1	A2	R1	R2	B1	B2	M	H	L	A1-A2
BASE S-T REM 700	1.638.45.997.0	7.8	11.4	17.5	48	22	15.5	92	11.8	159.3	-3.6
BASE L-T REM 700	1.638.45.995.0	7.8	11.4	17.5	48	22	15.5	114.8	11.8	181	-3.6
BASE S-T REM 700 (double inclination)	1.638.45.992.0	7.8	11.4	17.5	48	22	15.5	92	11.8	159.3	-3.6
BASE L-T REM 700 (double inclination)	1.638.45.991.0	7.8	11.4	17.5	48	22	15.5	114.8	11.8	181	-3.6
BASE L-T WIN 70 SA	1.638.56.998.0	8	11.4	16.5	34	22	22	82.6	12	181	-3.4
BASE L-T WIN 70 LA(double inclination)	1.638.56.997.0	8	11.4	16.5	34	22	22	96.5	12	177.8	-3.4

Military Sales

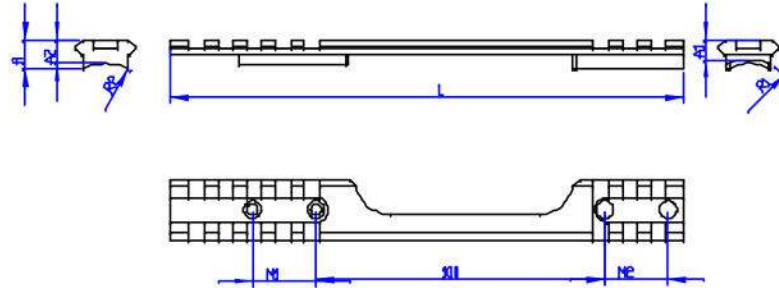
Army - Naval - Air Force Equipment

Email: info@borecleaningsystems.com - Web: <https://borecleaningsystems.com>

EU: +44 7464 727015

BCS
BORE CLEANING SYSTEMS

BASES



	Cod IOR	A1	A2	R1	R2	B1	B2	M	H	L	A1-A2
BASE L REM 700	1.638.45.994.0	7.4	10.2	17.5	48	22	15.5	113.8	10.8	181	-2.8
BASE S REM 700	1.638.45.993.0	7.4	10.2	17.5	48	22	15.5	92	10.8	159.3	-2.8
BASE L SAVAGE 110	1.638.50.998.0	7	10.2	17.5		22	22	100	10.2	177.8	-3.2

Military Sales

Army - Naval - Air Force Equipment

Email: info@borecleaningsystems.com - Web: <https://borecleaningsystems.com>

EU: +44 7464 727015

BCS
BORE CLEANING SYSTEMS